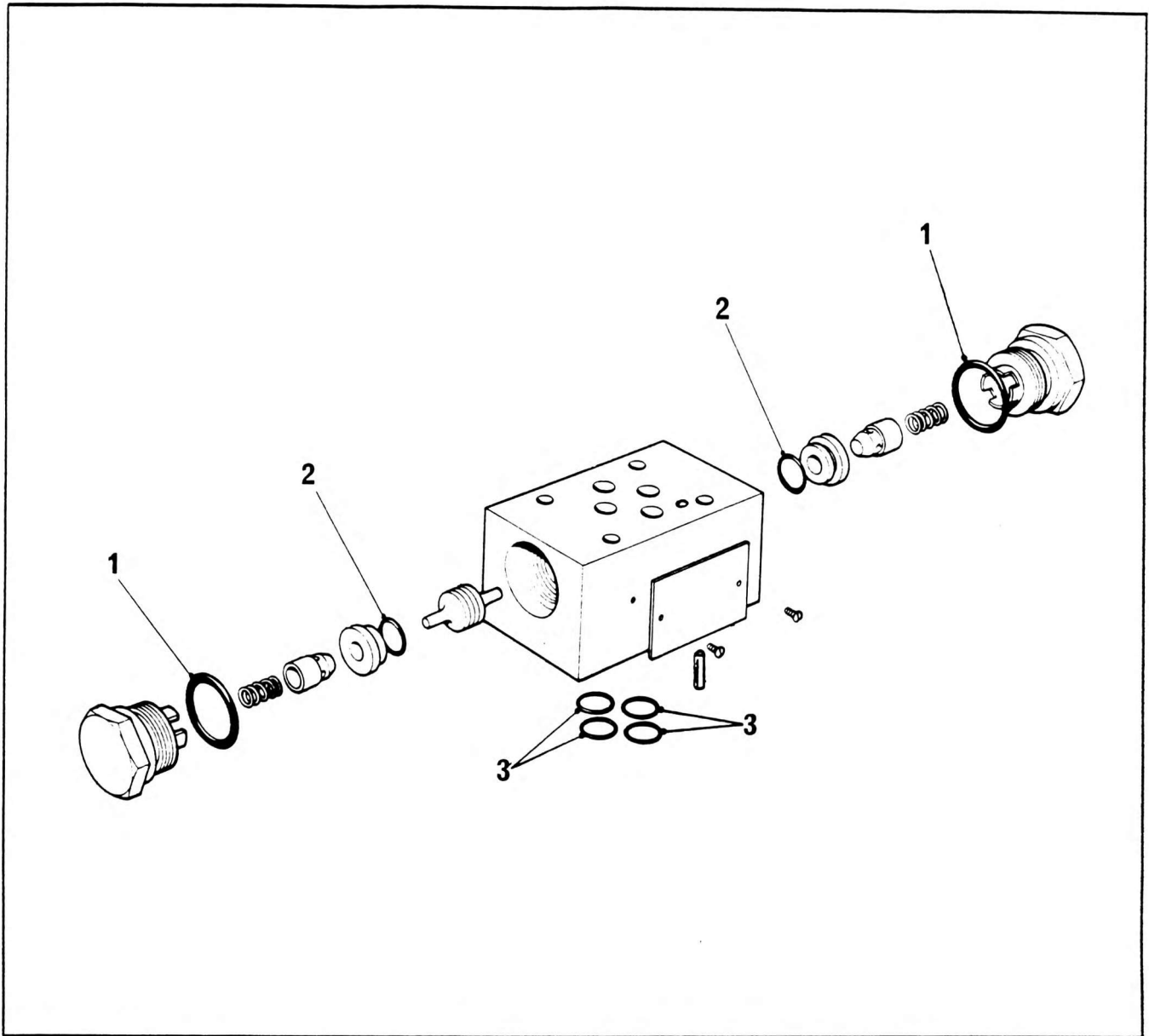


VALVE - PILOT CHECK



NO.	PART NO.	QTY.	DESCRIPTION	NO.	PART NO.	QTY.	DESCRIPTION
-	7-926-990470	1	Complete Assembly				
*	9-926-107875	1	Gasket Kit				
1 *	-	2	'O' Ring				
2 *	-	2	'O' Ring				
3 *	-	4	'O' Ring				

7-926-990470  
Issue No. 00